

Electronic Process unit Type **AE1412**

for MAURER - INFRARED – RADIATION THERMOMETER

Series KTR 1000 with fibre optic cable



combinable with :

KTR 1475 / KTR 1485 / QKTR 1475 / QKTR 1485

- **3 ½ digits display**
- **temperature indication from 0°C up to max. 1999°C**
- **2 separate adjustable limit values with relay outputs**
- **switching indication relay through LED´s**
- **emission-factor adjustable**

MAURER – Infrared – radiation thermometer can also assist you to monitor your heating processes, ensuring a uniform standard of quality for your products.

leaflet AE 1412

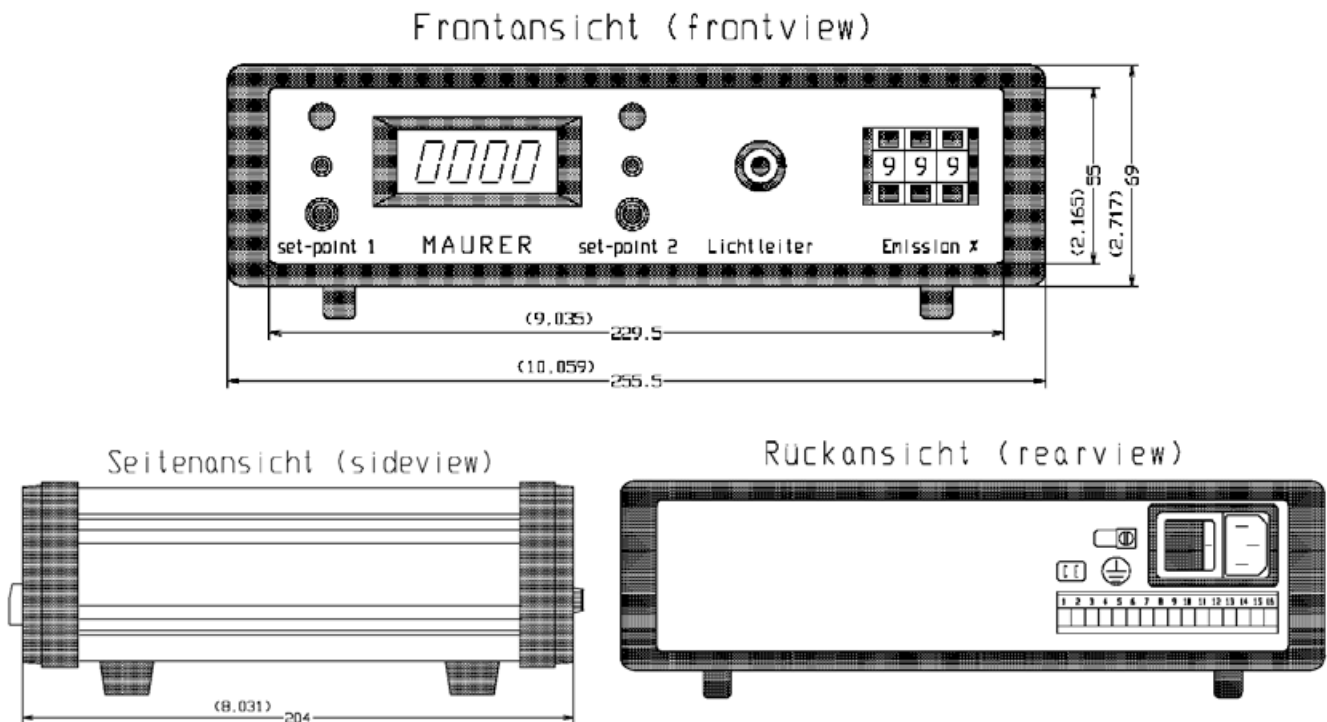
<http://www.maurer-ir.de>

**Dr.Georg Maurer
GmbH
Optoelektronik**

Industriegebiet 10
D-72664 Kohlberg

Telefon +49(0)7025-9219-0
Telefax +49(0)7025-9219-20
Email:info@maurer-ir.de

Dimensions:



Technical Data:

Output actual value	: current loop thermometer (0-20 mA or 4-20 mA / load 0-500 ohm)
Input impedance	: 100 ohm
Measuring display	: 3 ½ digits
Indication accuracy	: 0,1% ± 1 digit
Measuring rate	: 3 measurements per second
Measuring range	: internal scaleable from 0°C up to 1999 °C (32°F - 3630°F)
Measuring range - start	: internal adjustable from 0°C up to 1999 °C (32°F - 3630°F)
Set point - switching points	: adjustable from 0 - 100% of measuring range
Set point error	: +/- 1%
Hysteresis	: 3°C
Contact outputs	: 2 change-over contacts each 230 V AC / 1 A
Relay response time	: < 10 ms
Operating temperature	: 0 - 60 °C (32°F - 140°F)
Stock temperature	: -10 °C - +70°C (14°F - 158°F)
Power supply	: 110VAC or 230 VAC
Current input	: < 60 mA / AC
Power supply thermometer	: + 24V / 400 mA (D-SUB)
Signal outputs	: through screw-terminal strip
Weight	: 2 kg (4,41 lbs)
Case colour	: frame RAL 7030, lid + U-profiles RAL 7032
Emission factor	: adjustable 10 up to 99,9 %

Options:

- Optocoupler output (instead of relay-output 2)
- Output for continuous controlling of MF - HF – Generators
- Maximum value storage (external storage reset)
- Fixing angle for panel-installation
- Unit holder (for mounting at a wall, ceiling, swing panel,...)

Dr. Georg Maurer GmbH – OPTOELEKTRONIK –

Industriegebiet 10 D-72664 Kohlberg Telefon +49(0)7025-9219-0 Telefax +49(0)7025-9219-20

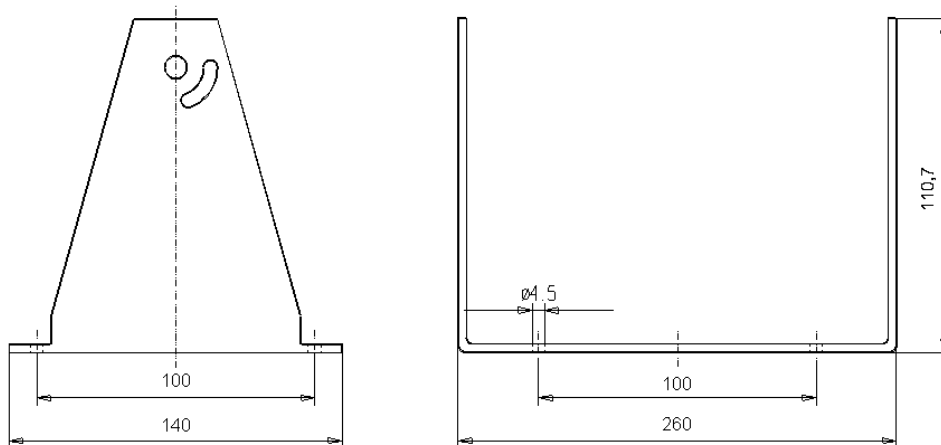


Reg.-Nr.: Q1 0201014

Assembly for electronic process unit - type AE14XX

1. case stator

- **Description** : stator with powder coated 3-mm-aluminium plate (RAL7032, grey) .
mounting in the slots beside the unit.
45 °- swinging of the unit around the horizontal axis is possible .
- **Application** : For mounting at a wall, ceiling, swinging arm,
With rubber feet also for a table use suitable .
- **Dimensions**:



2. Mounting angle for switchboard installation

- **Description** : 2 mounting angles of 3mm aluminium plate .
Put in the angles in the slots beside the unit case .
positioning and fixing with 2 screws M4 x 6 .
- **Application** : With angles it is possible to install the unit in switchboards,...
- **Dimensions** :

